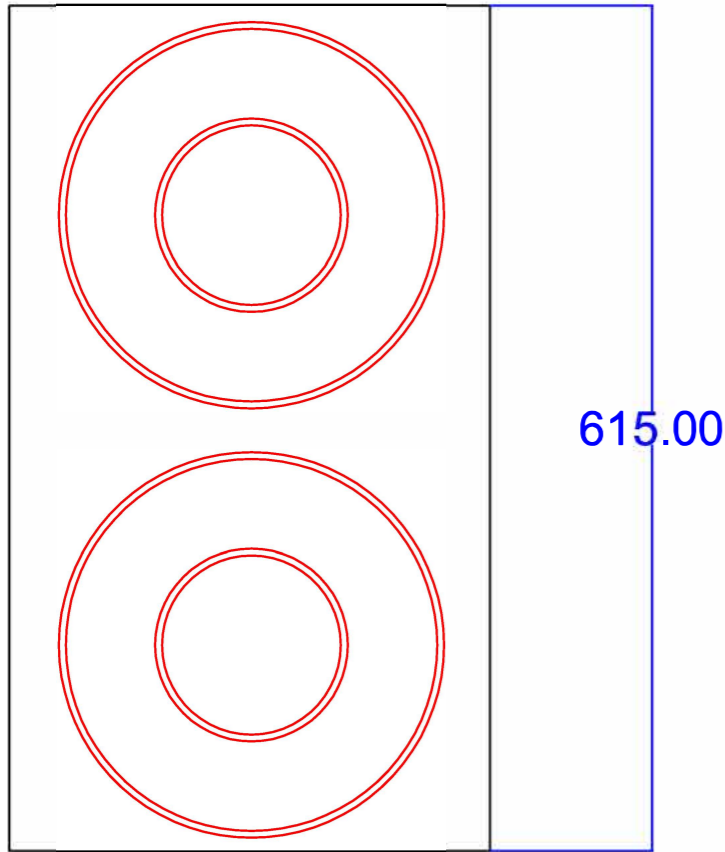
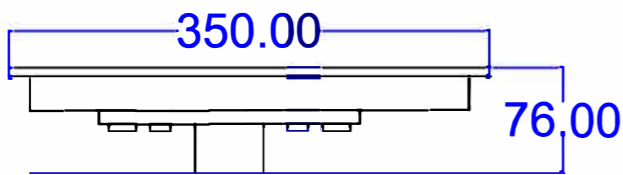


Induction Unit

Plan View

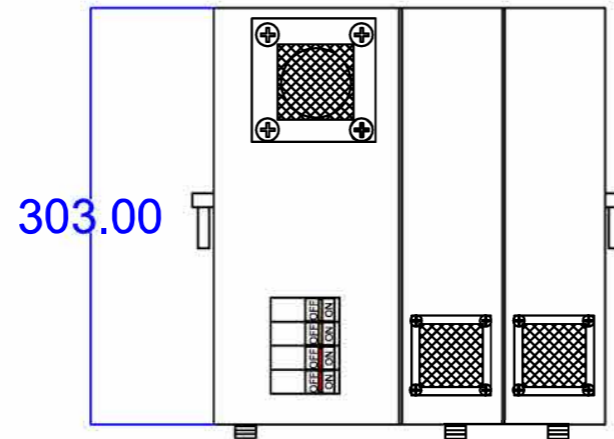


Front View

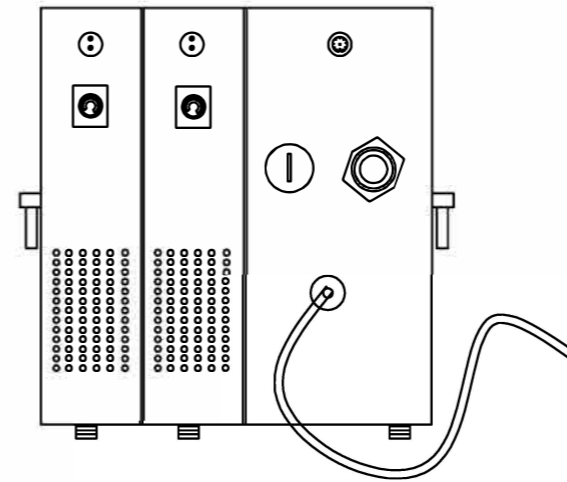


Control Box

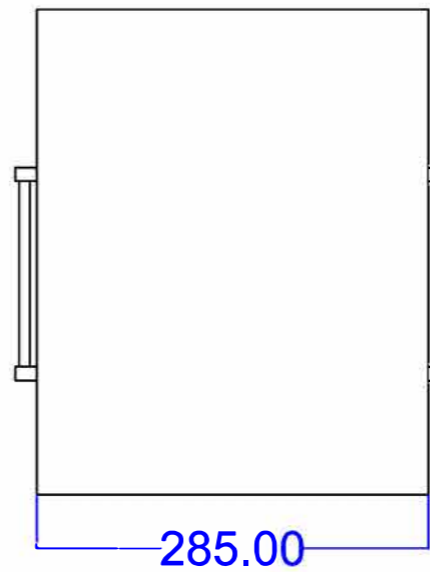
Front View



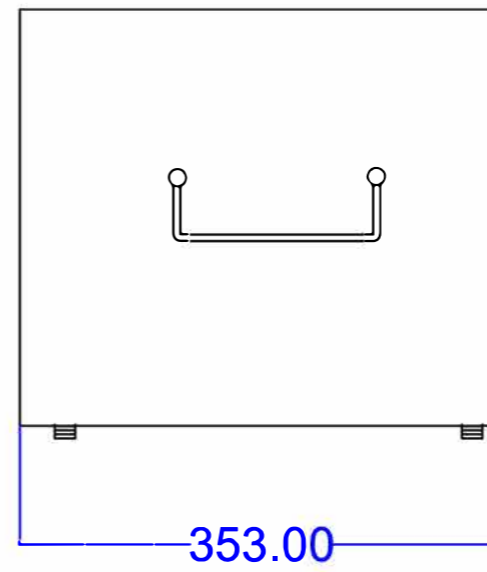
Rear View



Plan View

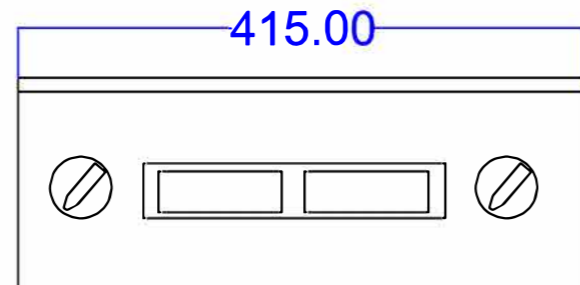


Side View

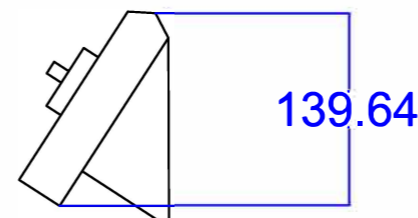


Control Panel

Front View



Side View



GENERAL NOTES
 - ALL BUILDING WORKS AND SERVICES DISTRIBUTION BY OTHERS, UNLESS SPECIFICALLY QUOTED OTHERWISE
 - ANY SERVICES SHOWN ARE FOR DEDICATED EQUIPMENT SUPPLIES ONLY AND ANY ADDITIONAL GENERAL USE SOCKETS FOR CLEANING EQUIPMENT ETC, EXTRACT, AIR INPUT SYSTEMS OR LIGHTING ETC, ARE TO BE RUN IN ADDITION TO THOSE SHOWN
 - IT IS THE RESPONSIBILITY OF THE CLIENT OR HIS OTHER AGENTS WHERE RELEVANT, TO ENSURE THAT ALL WORKS ARE CARRIED OUT IN LINE WITH CURRENT BUILDING REGULATIONS; AND MEET ALL NECESSARY LOCAL AUTHORITY APPROVALS INCLUDING ENVIRONMENTAL HEALTH, PLANNING, AND FIRE OFFICERS.

WIESERVER\Company Shared Folders\Logos All\Magic IE_Red.jpg

Induced Energy Ltd
 Wesminster Road Brackley
 Northants NN13 7EB
 Tel; 01280 705900
 Email; sales@inducedenergy.com
 Web; www.inducedenergy.com

| | |
|--------------|---------------|
| Model No | SLR Remote |
| Date Revised | December 2021 |
| Approved By | Rosie Sanders |
| Signature | |
| | |
| | |
| | |

Power Supply

Model SLR -CS3000G-1 - Single Phase 32 amp (6kW) Blue commando plug supplied fitted