

iRange Technical Sheet

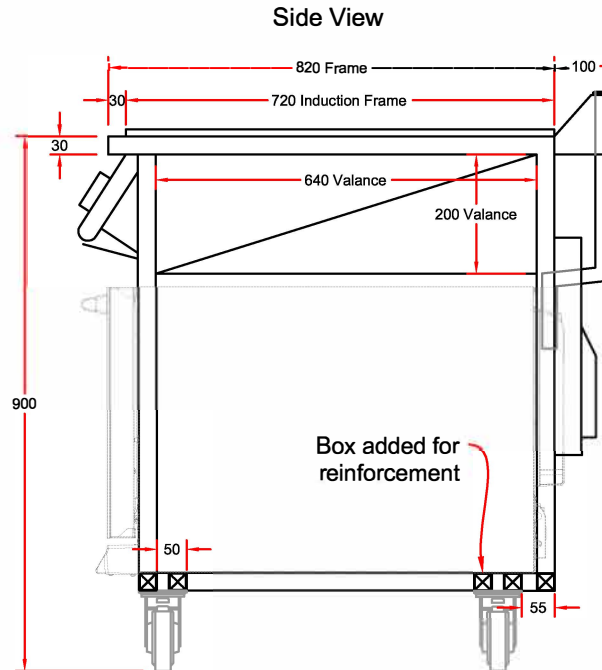
Total Power Rating: 15KW

Electrical Supply: Hob - 415 volts / Oven - 230v

**Flex and plug: Hob - 1.8 meter flex with 32 amp 3 phase commando plug.
Oven - 2 metre cable with 13 amp plug.**

Installation:

The iRange is a mobile unit fitted with a commando plug to the hob which requires a suitable 3 phase 32 amp outlet. The unit to be fitted to a clean flat surface, the unit to be protected back at distribution point with 32 amp 3 phase MCB. Under oven fitted with a 13 amp plug.



GENERAL NOTES
 - ALL BUILDING WORKS AND SERVICES DISTRIBUTION BY OTHERS, UNLESS SPECIFICALLY QUOTED OTHERWISE
 - ANY SERVICES SHOWN ARE FOR DEDICATED EQUIPMENT SUPPLIES ONLY AND ANY ADDITIONAL GENERAL USE SOCKETS FOR CLEANING EQUIPMENT ETC, EXTRACT, AIR INPUT SYSTEMS OR LIGHTING ETC, ARE TO BE RUN IN ADDITION TO THOSE SHOWN
 - IT IS THE RESPONSIBILITY OF THE CLIENT OR HIS OTHER AGENTS WHERE RELEVANT, TO ENSURE THAT ALL WORKS ARE CARRIED OUT IN LINE WITH CURRENT BUILDING REGULATIONS, AND MEET ALL NECESSARY LOCAL AUTHORITY APPROVALS INCLUDING ENVIRONMENTAL HEALTH, PLANNING, AND FIRE OFFICERS

The Magic of Induced Energy

Induced Energy Ltd
 Westminster Road Brackley
 Northants NN13 7EB
 Tel: 01280 875400
 Email: sales@inducedenergy.com
 Web: www.inducedenergy.com

Model No	iRange
Date Revised	December 2016
Approved By	
S	