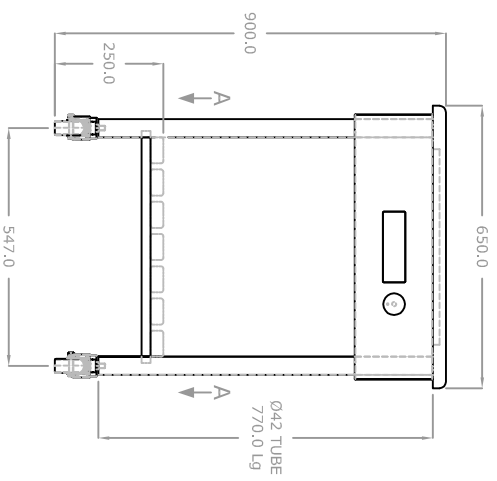
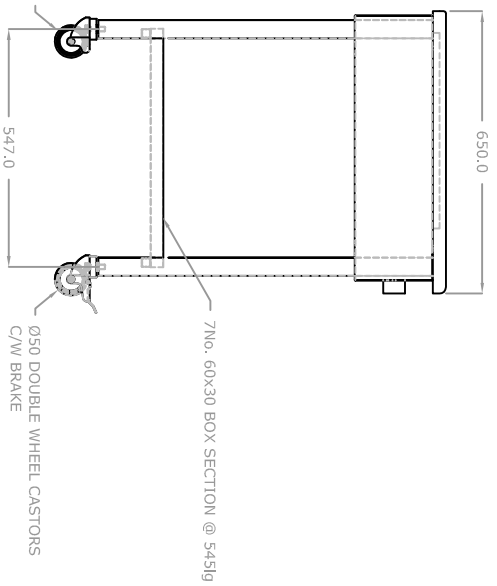


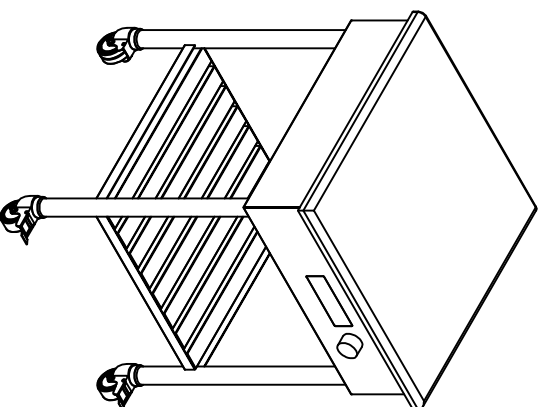
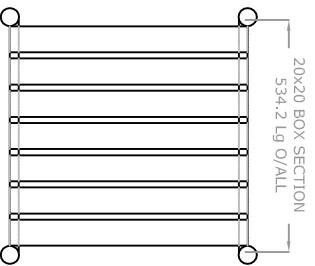
GENERAL NOTES
 - ALL DIMENSIONS AND SERVICES DISTRIBUTION BY OTHERS, UNLESS SPECIFICALLY NOTED OTHERWISE.
 - ANY SERVICES IN OWN ARE FOR DESIGNATED EQUIPMENT SUPPLIES ONLY AND ANY APPLICABLE GENERAL USE SOCKETS FOR CLEANING EQUIPMENT, COMPACT REFRIG. FITS THE RESPONSIBILITY OF THE CLIENT OR HIS OWN AGENTS WHERE RELEVANT TO ENSURE THAT ALL WORKS ARE CARRIED OUT IN LINE WITH CURRENT BALANCE ENVIRONMENTAL HEALTH PLANNING AND OTHER OFFICERS.



Ø50 DOUBLE WHEEL CASTORS
C/W BRAKE



Ø50 DOUBLE WHEEL CASTORS
C/W BRAKE



\\SERVER\Company Shared Folder\Logo All\Logo_16_2nd.jpg

Induced Energy Ltd
 Wesminster Road Brackley
 Northants NN13 7EB
 Tel: 01280 705900
 Email: sales@inducedenergy.com
 Web: www.inducedenergy.com

DWG Number BB001

Project Butchers Block

Client Dealer Info

Issue Date November 2018

Scale

Revision

Approved By

Signature