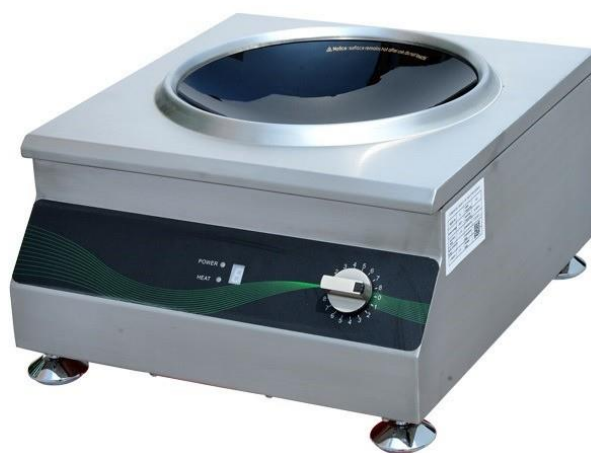




Induced Energy

QX by Induced Energy

QX-TA-3 Single Wok Induction Hob

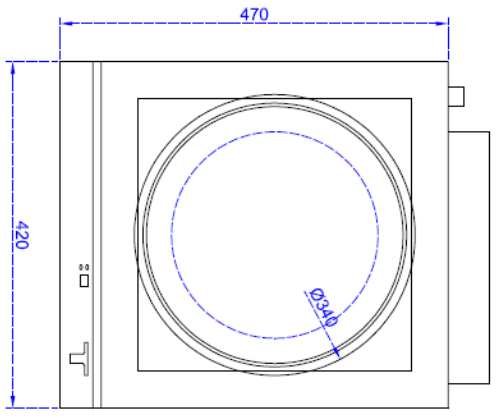
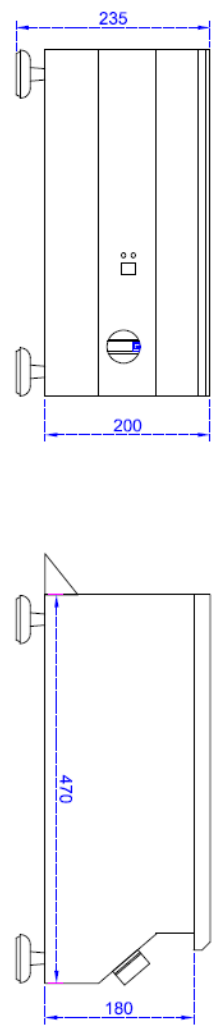


Product Specifications

Maximum Power	2.9KW
Electrical Supply	13-amp 240V 50-60Hz
Cord & Plug	Cord length 1.0m 13 amp UK plug
Weight	9.5kg
Dimensions	420 x 470 x 235mm
Construction	Stainless steel
Depth of Field	Up to 30mm
User Interface	Display panel: Audible no pan present warning
Controls	Ergonomically designed knob with precise setting 1 to 8
Warranty	12 months parts and labour
CE	Approved

Induced Energy Ltd Operate a continuous programme of product development and improvement.
Product specifications may therefore be subject to change.

Induced Energy Ltd, Westminster Road, Brackley, Northants NN13 7EB
Tel: 01280 705900 Email: sales@inducedenergy.com



specification:
 1.size: 420*470+50*235
 2.power: 2.9KW/240V.
 3.material:304#SUS

GENERAL NOTES
 • All dimensions are unless otherwise specified in millimeters.
 • All drawings are for reference only. The manufacturer is not responsible for any errors or omissions.
 • The manufacturer is not responsible for any damage to the product or any other property.
 • The manufacturer is not responsible for any loss of data or information.
 • The manufacturer is not responsible for any injury or death.
 • The manufacturer is not responsible for any fire or explosion.
 • The manufacturer is not responsible for any electrical shock.
 • The manufacturer is not responsible for any other accidents or incidents.
 • The manufacturer is not responsible for any other damages or losses.

The Magic of Induced Energy

Induced Energy Ltd
 Westmead Road Strickley
 Westmead NSW 2122
 Tel: 01280 705800
 Email: sales@inducedenergy.com
 Web: www.inducedenergy.com

Model No	QX-TA-3
Date Revised	August 2017
Approved By	Nic Banner
Signature	