

QX by Induced Energy

QX-TP-3 Single Zone Induction Hob

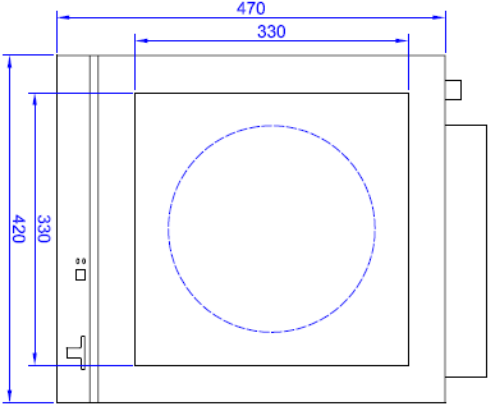
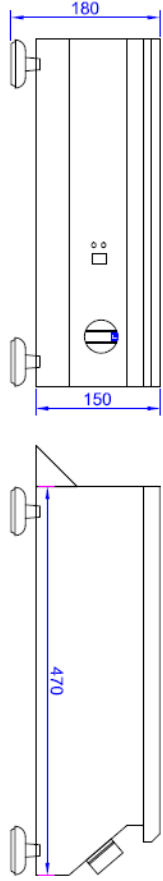


Product Specifications

Maximum Power	2.9KW
Electrical Supply	13-amp 240V 50-60Hz
Cord & Plug	Cord length 1.0m 13 amp UK plug
Weight	18.5kg
Dimensions	420 x 470 x 180mm
Construction	Stainless steel
Depth of Field	Up to 30mm
User Interface	Display panel: Audible No pan present warning
Controls	Ergonomically designed knob with precise setting 1 to 8
Warranty	12 months parts and labour
CE	Approved

Induced Energy Ltd Operate a continuous programme of product development and improvement.
Product specifications may therefore be subject to change.

Induced Energy Ltd, Westminster Road, Brackley, Northants NN13 7EB
Tel: 01280 705900 Email: sales@inducedenergy.com



- specification:
- 1. size: 420*470*180
 - 2. power: 2.9KW/240V.
 - 3. material: 304#SUS

GENERAL NOTES
- All dimensions are unless otherwise specified in millimeters.
- All dimensions are rounded to the nearest millimeter.
- All dimensions are rounded to the nearest millimeter.
- All dimensions are rounded to the nearest millimeter.
- All dimensions are rounded to the nearest millimeter.
- All dimensions are rounded to the nearest millimeter.
- All dimensions are rounded to the nearest millimeter.

The Magic of Induced Energy

Induced Energy Ltd
Westminster Road
Barnsley
North Yorkshire S10 7EB
UK
Tel: +44 (0)1422 745800
Email: sales@inducedenergy.com
Web: www.inducedenergy.com

Model No	QX-TP-3
Date Rev/seed	August 2017
Approved By	Nic Banner
Signature	